

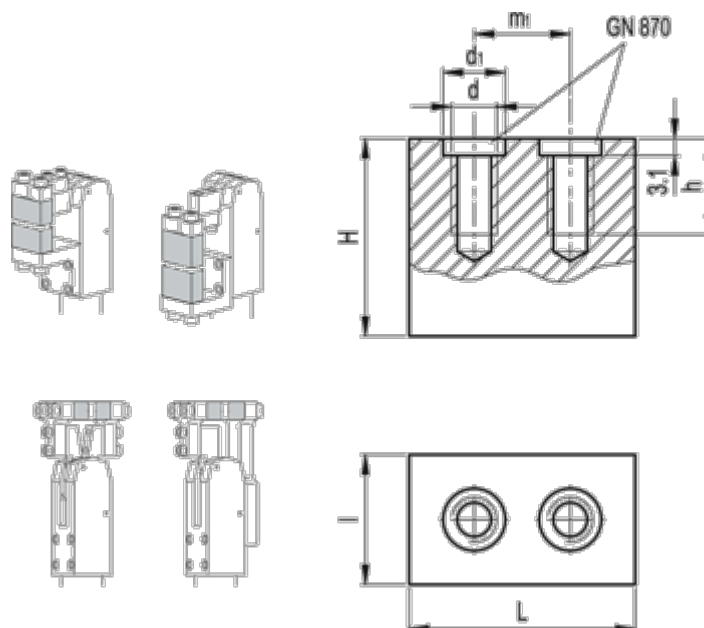
# Data Sheet



Article number: 201017097

Description: E+G Clamping jaw blank GN 872-50-45

## Measures



d	= M10
d1 H8/h6	= 13
h	= 20
H	= 45
l	= 20
L	= 50
m1	= 30
Weight (g)	= 320